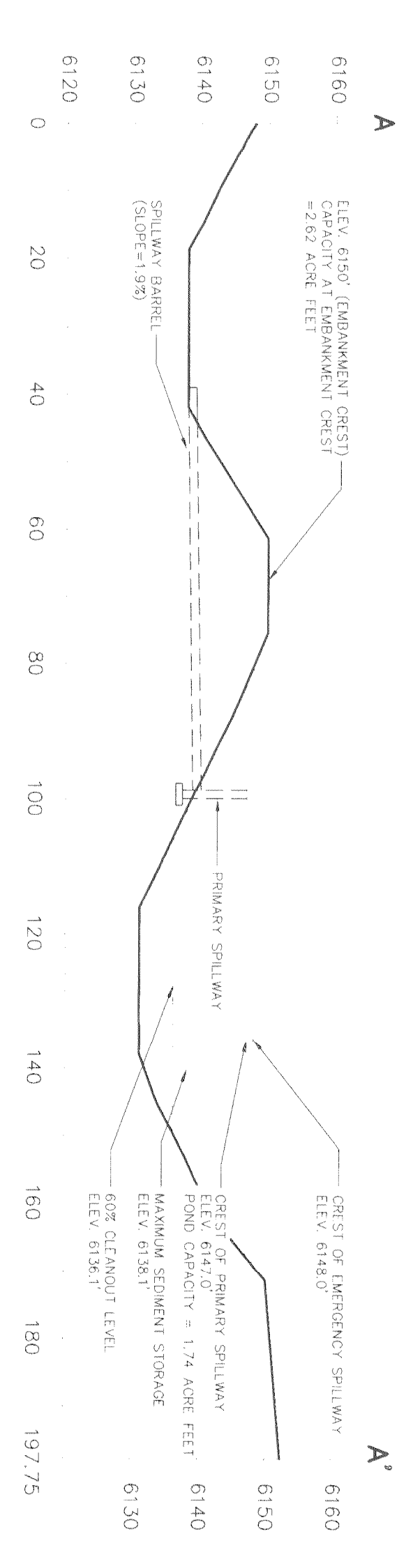
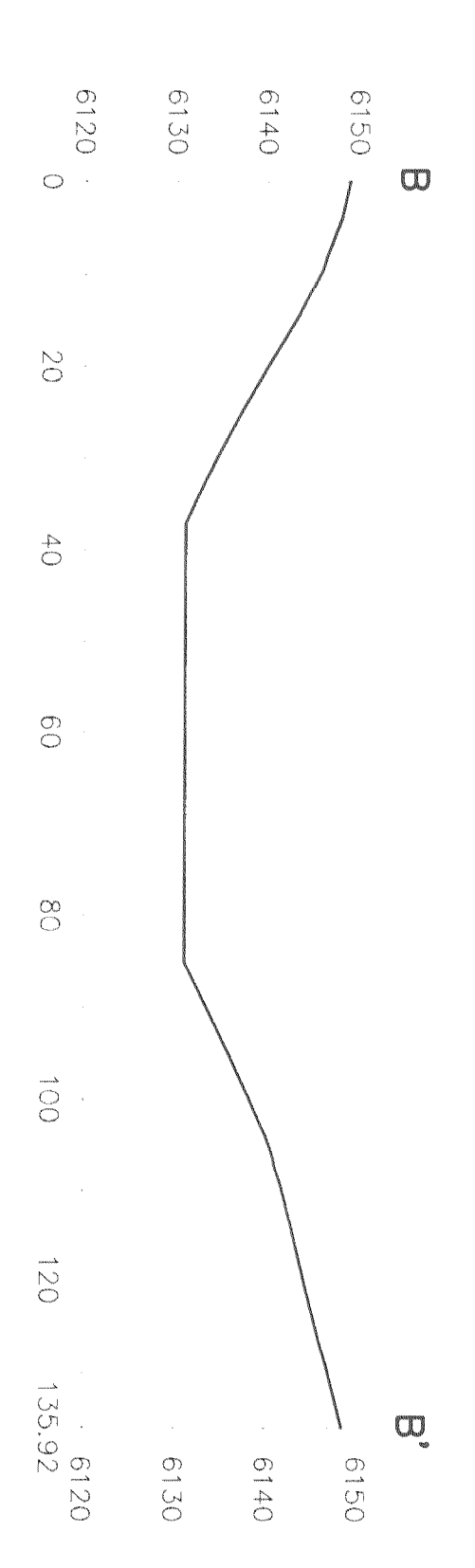


PLAN VIEW

- NOTES:
1. POND TOPOGRAPHY FROM AS-BUILT SURVEY BY BRUCE WARE, L.S. (JANUARY 1998). REMAINDER OF TOPOGRAPHY FROM SEPTEMBER 16, 1994 AERIAL PHOTOGRAPHY.
 2. ALL PIPE JOINTS WITHIN 20' OF THE POND HAVE RUBBER GASKETS AND ARE SILICONE SEALED.
 3. OIL SKIMMER CONSISTS OF 18" LONG SECTION OF 24" DIA. CMP CENTERED VERTICALLY OVER TOP OF PRIMARY RISER. BOTTOM OF OIL SKIMMER IS AT ELEV. 6146.0'. SKIMMER ATTACHED TO PRIMARY SPILLWAY RISER WITH TRASH RACK INSIDE OIL SKIMMER CONSISTING OF REBAR WELDED AT 4" O.C. BOTH DIRECTIONS TO TOP OF PRIMARY SPILLWAY RISER.
 4. REINFORCED CONCRETE BASE POURED AROUND BOTTOM OF PRIMARY SPILLWAY RISER, WITH BASE EXTENDING A MINIMUM OF 6" BELOW AND 4" ABOVE BOTTOM OF CMP RISER.

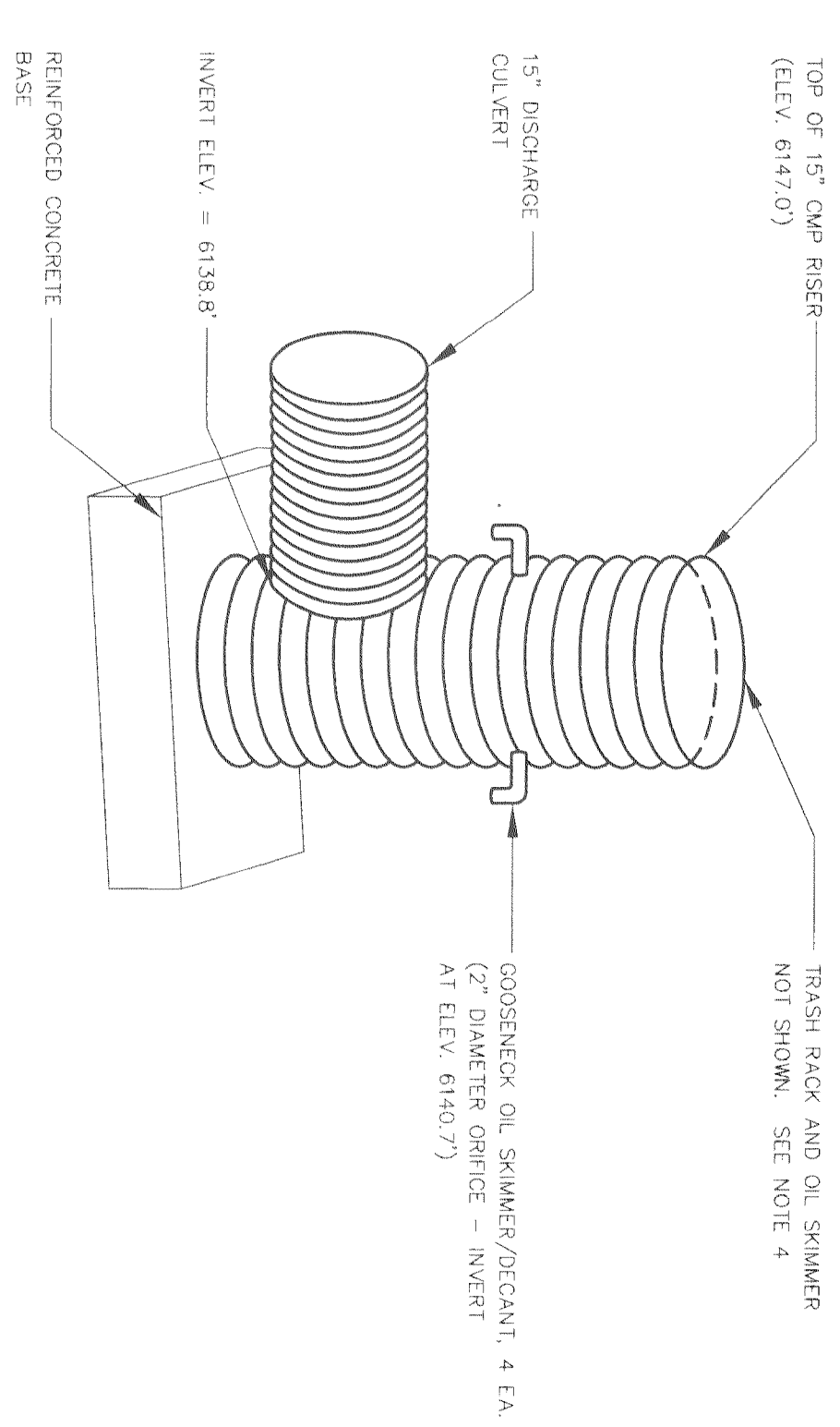
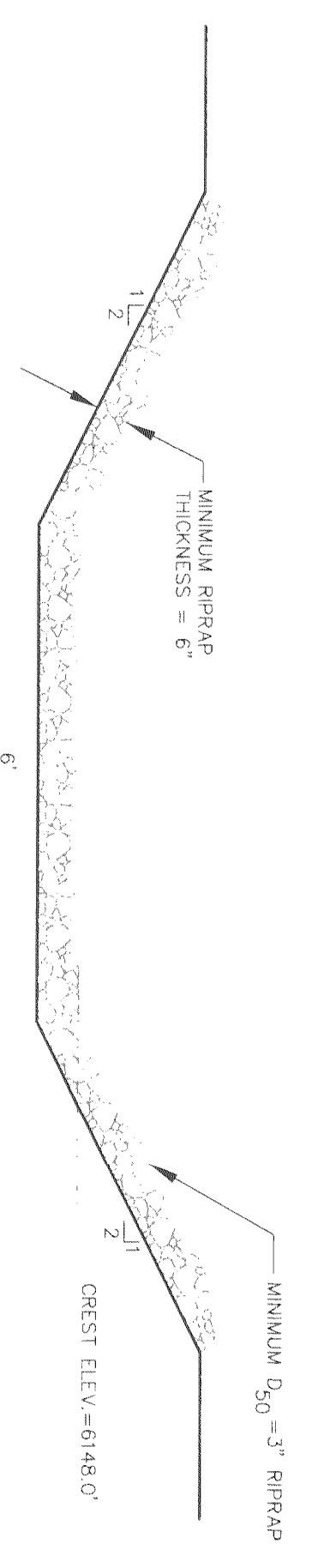


SECTION A-A'
HORIZONTAL SCALE: 1"=20'
VERTICAL SCALE: 1"=20'

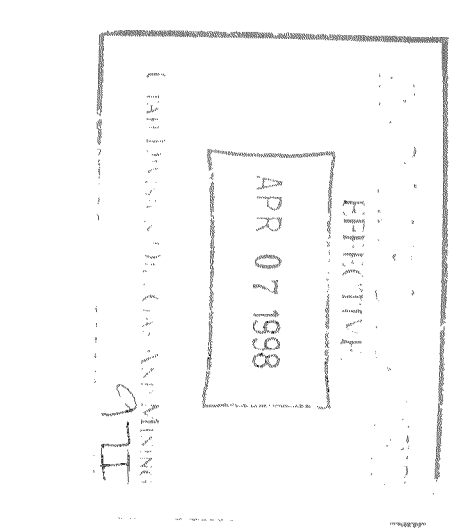


SECTION B-B'
HORIZONTAL SCALE: 1"=20'
VERTICAL SCALE: 1"=20'

EMERGENCY SPILLWAY DETAIL
NTS



PRIMARY SPILLWAY RISER DETAIL
NTS



NO.	REVISION	DATE	BY	CHKD
1	AS-BUILT SURVEY	2-98	SWF	RBW
2	ISSUED FOR PERMIT	9-97	SWF	RBW
3				

SCALE: AS SHOWN

DESIGN BY: RBW

CHECK BY: SWF

DRAWN BY: SWF

PROJECT: PREPARATION PLANT

DRAWING TITLE: SEDIMENT POND 011

FILE NAME: P17ASBL.TWG

DATE: 02-98

PROJECT No. UC574-05

DRAWING No. 011

SHEET: 1 OF 1

DRAWING No.: MAP 3-4-6

REV: 0

CYPRUS
Plateau Mining

EarthFax Engineering, Inc.
Engineers/Scientists

EarthFax
DIV: 02-311, GAS & MINING