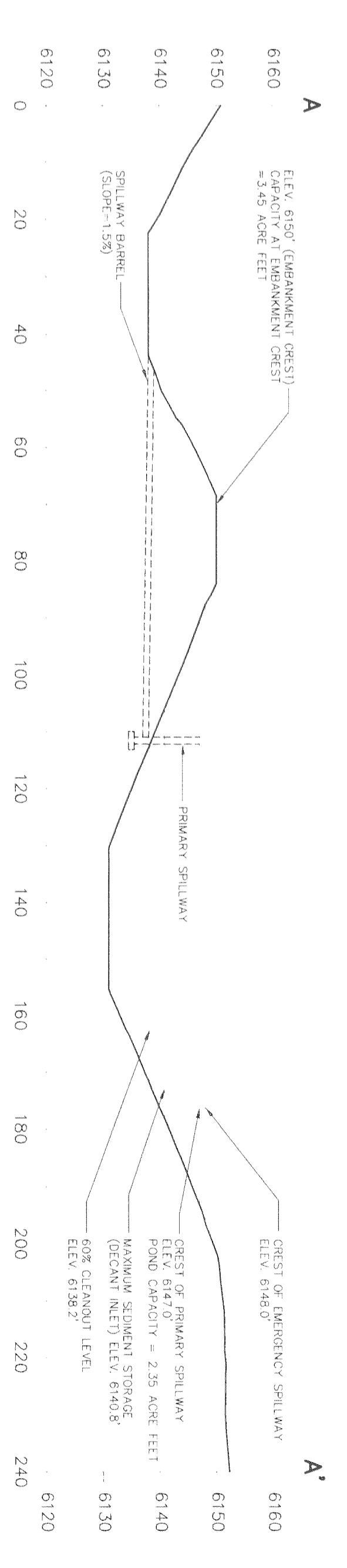


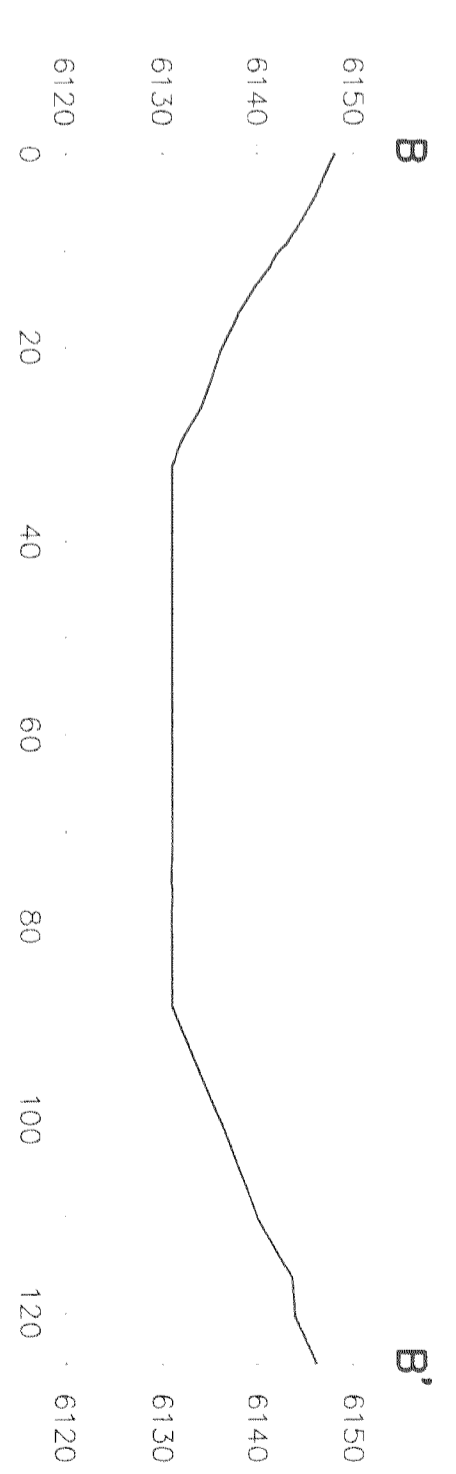
PLAN VIEW

NOTES:

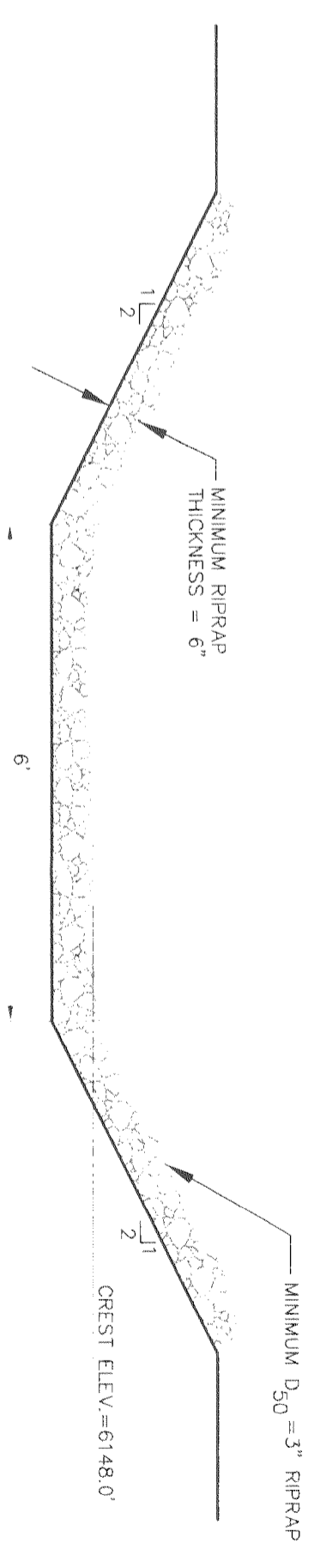
1. TOPOGRAPHY FROM SEPTEMBER 16, 1994 AERIAL PHOTOGRAPHY.
2. SHADED TOPOGRAPHY IS EXISTING. SOLID TOPOGRAPHY IS PROPOSED.
3. ALL PIPE JOINTS WITHIN 20' OF THE POND SHALL HAVE RUBBER GASKETS AND SHALL BE SILICONE SEALED.
4. OIL SKIMMER TO CONSIST OF 18" LONG SECTION OF 24" DIA. CMP CENTERED VERTICALLY OVER TOP OF PRIMARY SPILLWAY RISER. BOTTOM OF OIL SKIMMER TO BE AT ELEV. 6146.0'. ATTACH TO PRIMARY SPILLWAY RISER WITH TRASH RACK INSIDE OIL SKIMMER CONSISTING OF NO. 9 REBAR WELDED AT 4" O.C. BOTH DIRECTIONS TO TOP OF PRIMARY SPILLWAY RISER.
5. REINFORCED CONCRETE BASE TO BE POURED AROUND BOTTOM OF PRIMARY SPILLWAY RISER, WITH BASE EXTENDING A MINIMUM OF 6" BELOW AND 4" ABOVE BOTTOM OF CMP RISER.



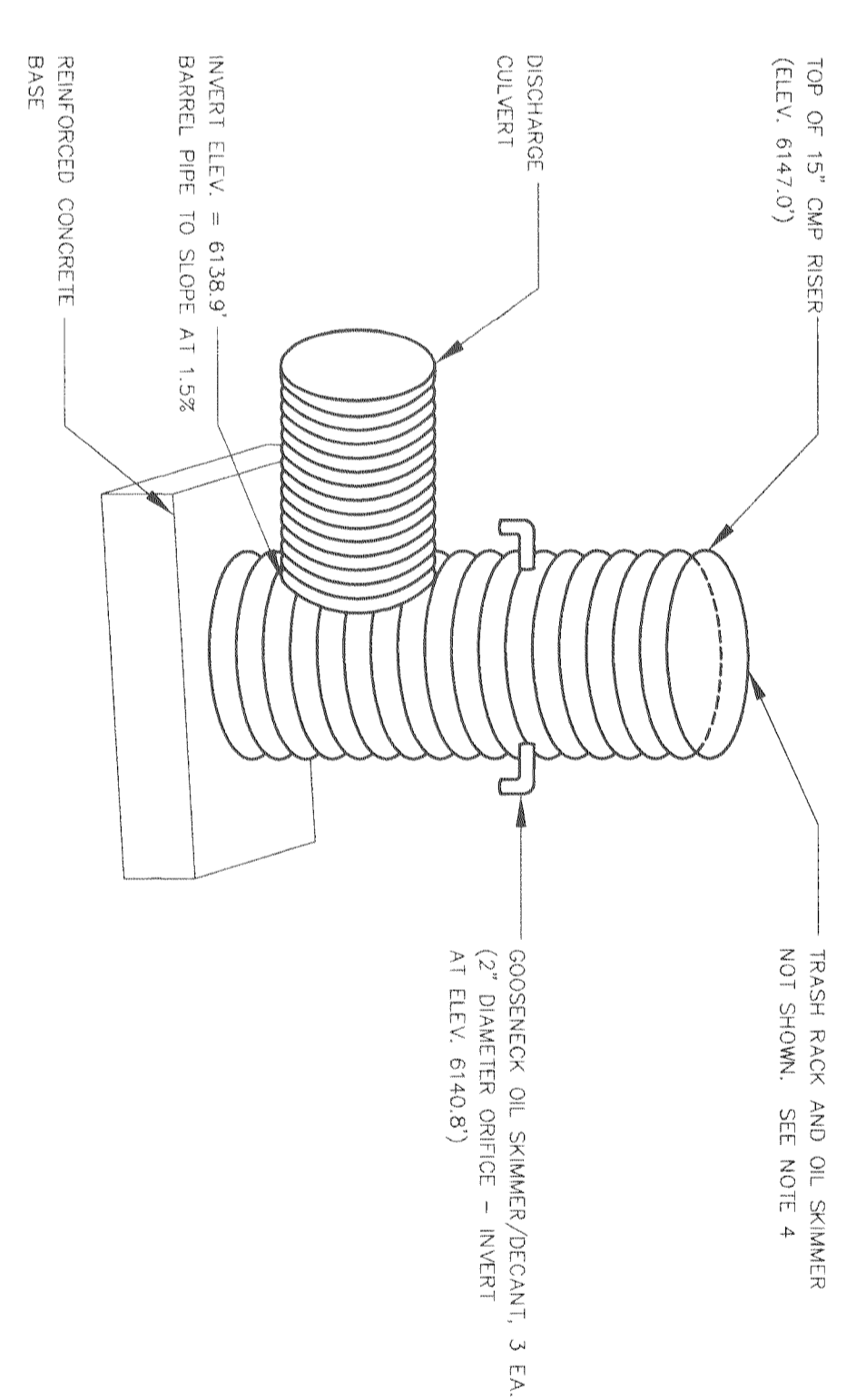
SECTION A-A'  
HORIZONTAL SCALE: 1"=20'  
VERTICLE SCALE: 1"=20'



SECTION B-B'  
HORIZONTAL SCALE: 1"=20'  
VERTICLE SCALE: 1"=20'



EMERGENCY SPILLWAY DETAIL  
NTS



PRIMARY SPILLWAY RISER DETAIL  
NTS



11/1997  
RTT

NO.	REVISION	DATE	BY	CHKD
1	ISSUED FOR PERMIT	9-97	SMF	RBW
2				
3				
4				

SCALE:	AS SHOWN
DESIGN BY:	RBW
DRAWN BY:	SMF
CHECK BY:	RBW
PROJECT:	PREPARATION PLANT
PROJECT NO.:	UCS74-01
FILE NAME:	POND-11.DWG
DRAWING TITLE:	SEDIMENT POND 011 DESIGN

SHEET:	1	OF	1
DRAWING NO.:	MAP 3-4-6	REV.	0

**EarthFax Engineering, Inc.**  
Engineers/Scientists

**CYPRUS Plateau Mining**

**EarthFax**